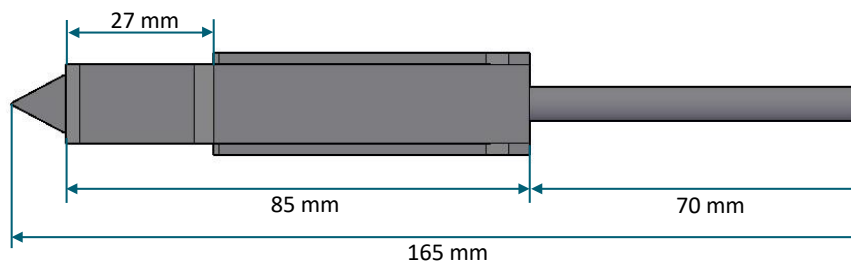
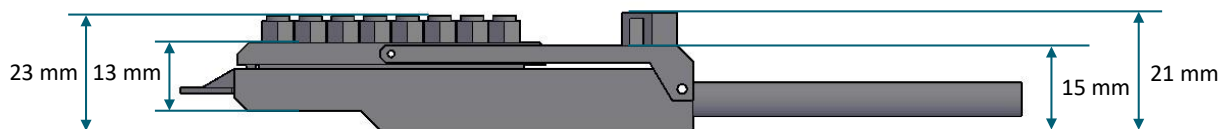
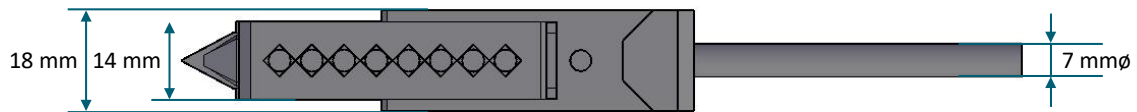
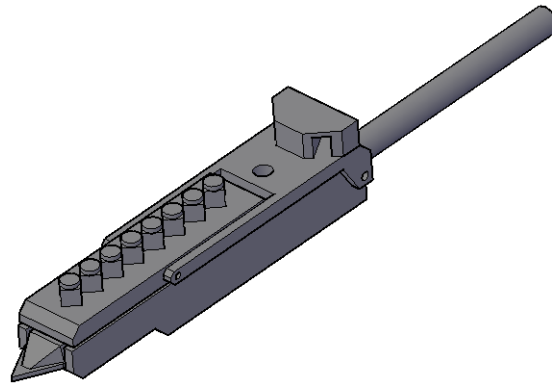


BioPen Pipette Holder Prime (PHP-2) Specifications

Pipette Holder Prime	
Weight	0.15 kg (0.33 lb)
Dimensions	18 mm (W) × 165 mm (L) × 23 mm (H)
Operating temperature	22-38 °C



Schematics of PHP-2 pipette holder