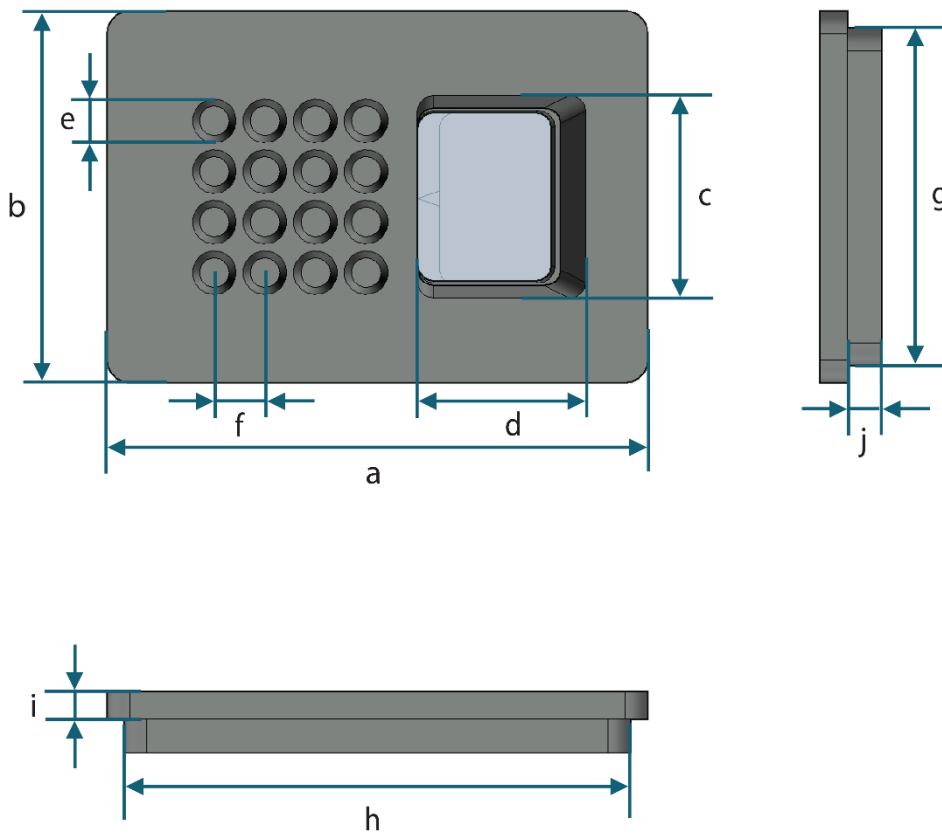
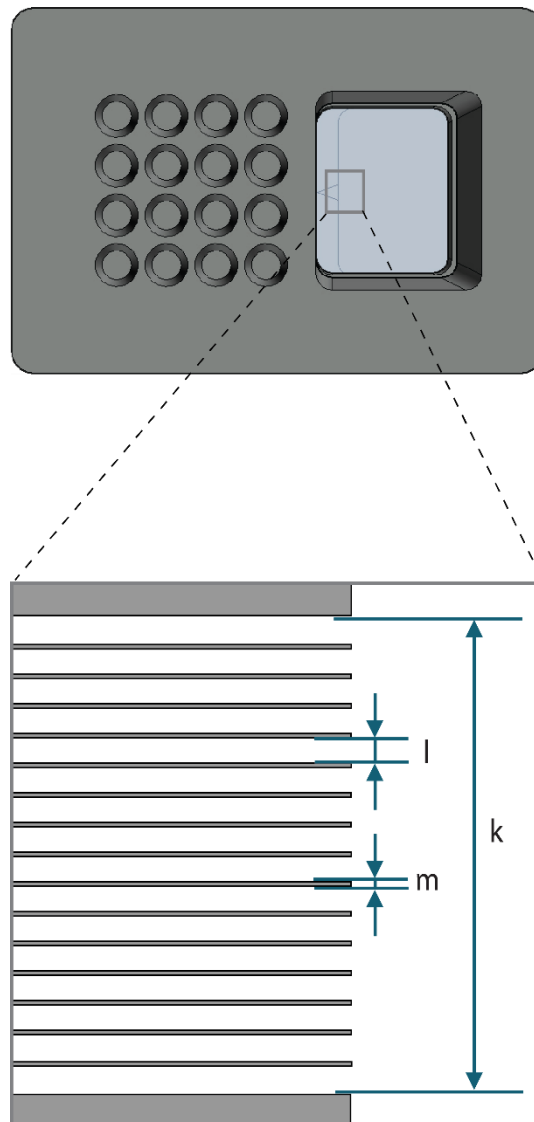


Dynaflow Resolve Specifications

Dynaflow chip parameters	
Length	96 mm (a)
Width	66 mm (b)
Recording chamber length	36 mm (c)
Recording chamber width	30 mm (d)
Reservoir diameter	8 mm (e)
Reservoir center to center distance	9 mm (f)
Base width	60 mm (g)
Base length	90 mm (h)
Top plate thickness	5 mm (i)
Base thickness	6 mm (j)
Channels outlets	2850 μm (k)
Channels width	150 μm (l)
Channels separation	30 μm (m)
Number of deliverable solutions	16
Reservoir volume	100-150 μL
Recording chamber volume	3-5 mL
Material of plastic interface	Surface treated PEEK
Material of fluidic channels and recording chamber	Glass
Glass thickness	0.7 mm



Schematics of Dynaflo Resolve chip



Schematics of Dynaflo Resolve chip outlet